



Important safety instruction!



To ensure the safety of persons it is important to read these instructions carefully prior to installation and to follow them. The installation instructions should be kept in a safe place and if the awning is sold they must be passed on to the new owner.

Installation instructions for “Toscana-Mini”[®] awning

1.1. Scope of supply

- ◆ 1x awning type: Toscana-Mini
- ◆ 2x wall/ceiling brackets
- ◆ 1x installation instructions
- ◆ 2x covering caps, casing section (incl. screws +sticker)
- ◆ 1x operating instructions
- ◆ 1x electrical connection cable and adjusting instructions (only if motor drive included)
- ◆ 1x awning crank handle (only for crank operation)
- ◆ 2x rafter brackets (only if ordered as an extra)
- ◆ 2x mounting plates (only if ordered as an extra)
- ◆ 1x test or programming cable (only if ordered as an extra)

1.2. General

The awning system should be installed by a specialist firm.

To ensure that the awning can be installed safely and held securely in place, the nature and condition of the fixing location must be checked. The choice of fixing materials must be based on the surface on which the awning is to be mounted. The awning is supplied **without installation materials**.

The components of this awning comply with the currently applicable technical requirements and standards.

Design modifications are only permitted with the consent of Lewens Sonnenschutz Systeme GmbH & Co. KG.

1.3. Competence required of the installation company:

- Adherence to occupational health and safety regulations and operational safety requirements
- Handling of ladders and scaffolding
- Safe transportation and storage of the awning
- Handling of tools and machinery
- Assessment and installation of fasteners in the existing building fabric
- Operation of the awning and instruction of the user

1.4. Attachment of ropes and lifting

If the awning has to be lifted to a higher level with the aid of ropes, the system should be

- Removed from the packaging,
- Attached to the transporting ropes so that the awning cannot slip out,
- Subject to uniform load distribution (horizontal position) when lifting

1.5. Protection against falling

- When working at a great height, suitable personal safety measures should be taken to guard against the danger of falling (see also Section 1.7 of operating instructions).
- Ladders or scaffolding must be on a firm base and offer a secure foothold.

2.0. Tools required

- Ladder/scaffolding
- Spirit level
- Guide line
- Tape measure
- Hammer drill and drill bits (selection depends on mounting base and means of attachment)
- 4mm, 5mm and 6mm Allen keys
- Jaw wrench/ring spanner SW13 and for fastener size
- Phillips head screwdriver PH2

3.0. Installation steps

- 3.1. Check the the scope of supply is correct
- 3.2. Mark the position of the brackets and fit them
- 3.3. Drill feedthrough for electric cable (only if installing a motor drive)
- 3.4. Hang awning in the brackets and secure
- 3.5. Set awning pitch
- 3.6. Adjust hinged arms
- 3.7. Carry out electrical installation (only if installing a motor drive)
- 3.8. Fit covering caps, casing section

3.9. Awning crank handle (only for crank operation)

3.1. Checking the scope of supply

Prior to installation it must be checked

- whether the information given when ordering regarding awning type, colour, type of drive (crank/motor) and drive side matches the delivery
- that the right parts have been supplied in the correct quantity, see scope of supply (1.1.)

Wall mounting

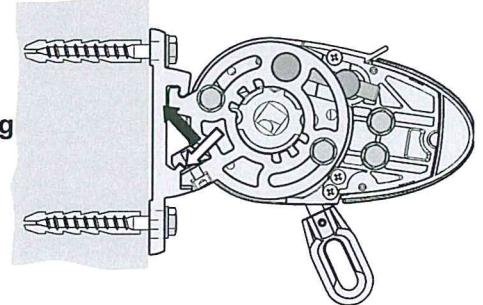
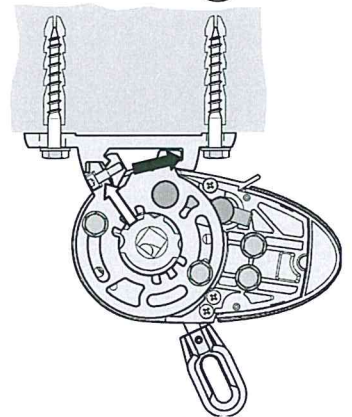


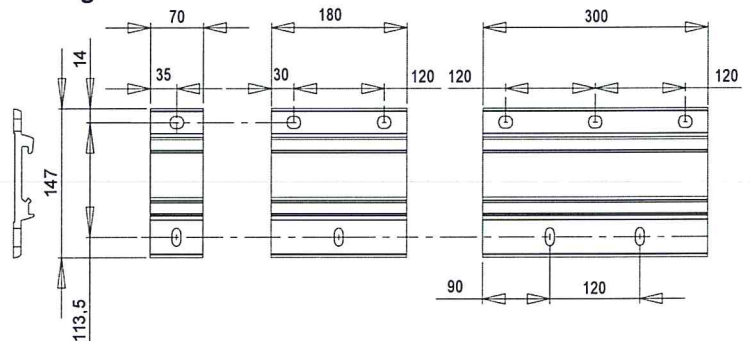
Figure 1

Ceiling mounting



3.2. Marking the position of the brackets and fitting them

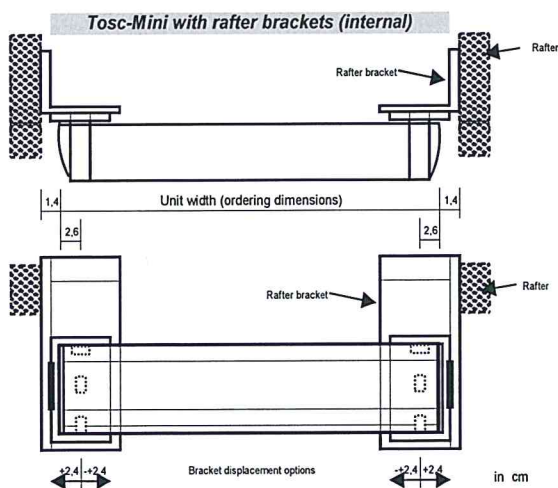
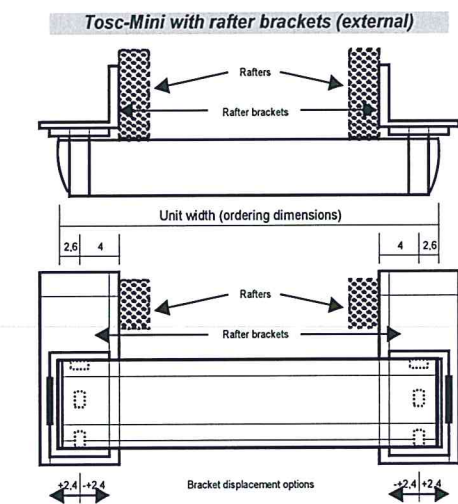
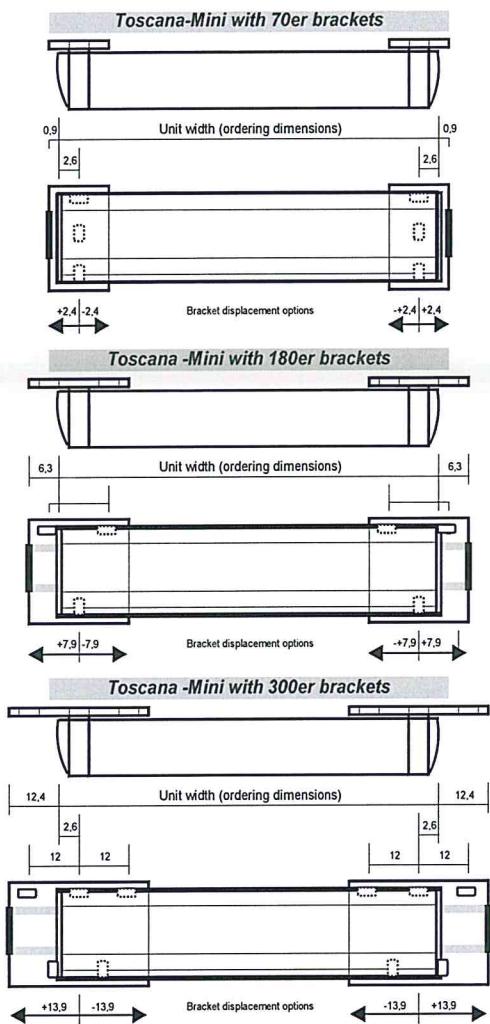
Figure 2



+ **Note:** The awning is generally supplied with 2 brackets and can be fixed to either wall or ceiling without any additional installation components (Fig. 2)

Prior to commencing installation, it should be checked whether the information given when ordering regarding the mounting surface corresponds to the mounting surface actually found to exist. If differences should be found that would adversely affect secure and safe installation, installation must not be carried out. The awning only satisfies the wind resistance classification if the number and type of brackets recommended by the manufacturer are used, also taking the correct choice of plug and plug pull-out forces into consideration.

- Mark the position of the brackets on the mounting base and drill.



- The drilling dimension for the 70 brackets is equal to the width of the awning (ordering dimensions) minus 5.2 cm.
 - Fit each bracket and covering cap using the pertinent fixtures (bear in mind the guidelines for use and pull-out forces specified by the plug manufacturer as well as the edge distances of the mounting base).
 - Adjust brackets on wall using a spirit level so that they are correctly aligned vertically and horizontally.
- 3.3. Drill wall feedthrough for cable** (only if installing a motor drive)
- Drill a roughly 10 mm hole for the electric supply cable through the wall on the side on which the electric cable emerges by the awning. The supply for the motor drive should be prepared in conformity with VDE (German Electrical Engineering Association) regulations!

3.4. Hang the awning (Fig. 1)

- Loosen the safety block with the Allen screws using the Allen key, but do not twist out completely.
- Lift awning behind the upper hook (black arrow) of the brackets and press fully onto the bracket, allowing it to slide onto the lower lug (white arrow).
- Screw the safety block tight using the Allen key to secure the awning in place.



Caution!
When fitting the awning to the ceiling, the awning must be held firmly in position until the safety blocks on the awning have been tightened.

Gear unit position for wall mounting with min./ max. pitch:

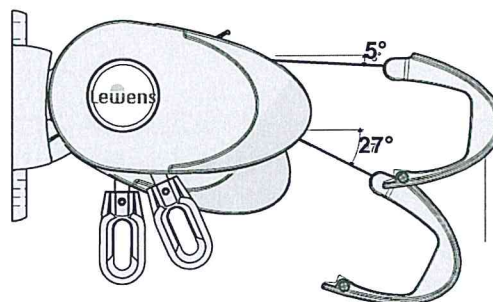
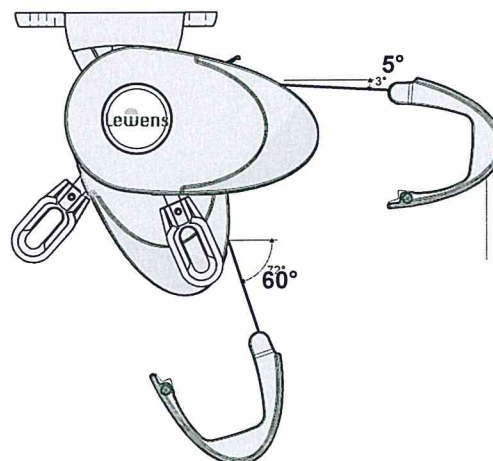
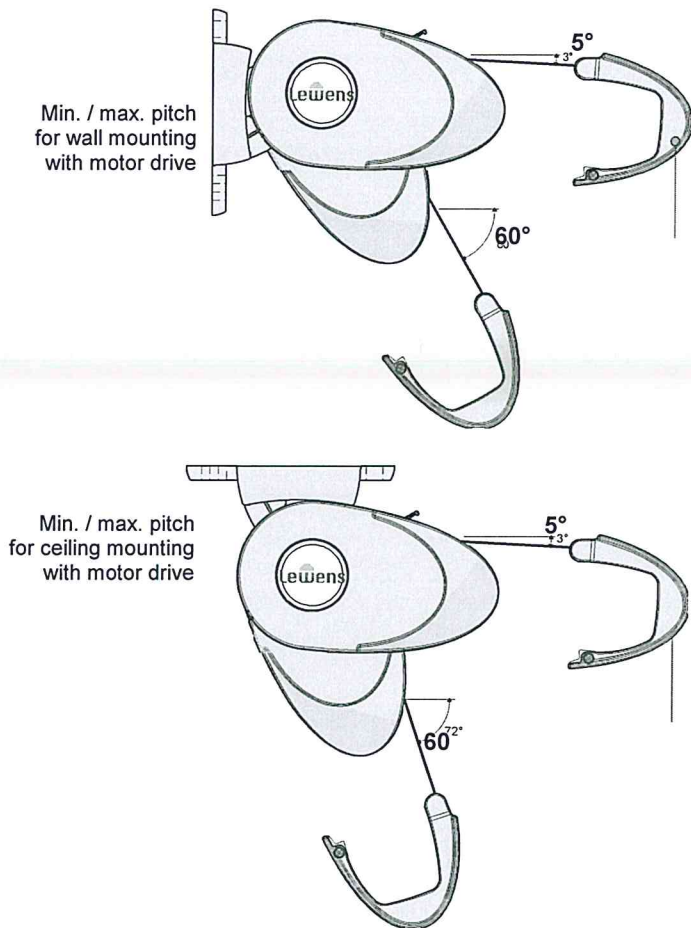


Figure 3

Gear unit position for ceiling mounting with min. / max. pitch:





3.5. Adjust the pitch (Fig.4)

Caution! The arms are under high spring tension. Risk of injury!

The following adjustments need to be carried out on both sides of the awning:

- Extend the awning.
- **Caution!** Turn the clamping screws (Fig.5), 2 on each side, a maximum of one turn, but do not unscrew completely!
- Relieve the load on the awning arm by lifting it slightly.
- Turn the adjusting screw to the right to adjust the awning pitch upwards and to the left to lower it.
- Lower / raise the front profile according to the desired awning pitch.
- Use a spirit level to check that the front profile is horizontal. Differences in the setting can be compensated for by adjustments to the adjusting screw.
- Tighten the clamping screws (2x each side).

+ **Note:** To prevent water from collecting on the awning fabric when it rains (pooling), a gradient of more than 14° or 25% pitch must be set when the awning is fully extended. Pooling could damage the awning and cause the risk of injury to persons.

3.6. Adjust hinged arm (Figs. 4 and 5)

Note: Check whether the hinged arms come into contact with the profile at the top or bottom when closing the awning (Fig. 4, arrows 3 and 4). If there is any contact between arm and profile, adjustment is required.

Remove the covering cap of the casing section as described in Section 3.5. nos. 1 and 2.

- Extend the awning until the middle hinge of the arm no longer comes into contact with the casing section.
- The adjusting screw (Fig.5) for the hinged arms is located

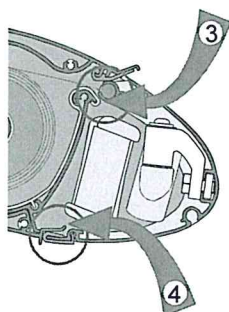


Figure 4

behind the red cap (top screw with SW 13).

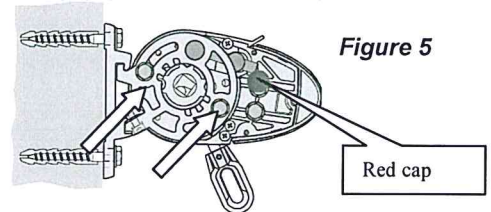


Figure 5

- Turn the screw to the right to adjust the arm position upwards and to the left to lower the arm.
- Do not undo the bottom screw (SW 13). Once the adjustment is completed, check that the bottom screw is screwed firmly.
- Extend and retract the awning a few times to check whether the middle hinge of the arm retracts centrally into the casing section.
- When you have finished, fit the red cap onto the top screw.

3.7. Carry out electrical installation (only if installing a motor drive)

Caution! The electrical supply must be connected by an approved electrician in conformity with VDE (German Electrical Engineering Association) regulations. Connect electrical cables according to the enclosed circuit diagram. The awning may only be connected up if the data on the rating plate correspond to the data of the current source. The rating plate is on the right-hand side of the casing. When laying the cable for the motor, care should be taken to ensure the connection cable is not damaged by kinking or sharp edges.

Long-term operation of an awning with an electric motor drive via a wall socket is not permissible! The awning switch used should be fitted at a height of 180 cm and must be locked reciprocally in the extension and retraction direction, as otherwise the programming of the end positions is lost.

The extension and retraction limit is set at the factory. In the event of changes, a precise programming mode must be followed in accordance with the instructions (see enclosed motor description). The awning can be supplied with an electric drive (operated via a permanent push-button) or a radio drive.

• Adjustment of electric drive

To modify the programming of the end positions, the enclosed motor description and a test/programming cable are required.

• Adjustment of radio drive

When using the radio drive, adjustment is carried out via the hand-held transmitter of the motor. The enclosed motor description is required for this. The awning can remain on the existing power supply.

Caution! If the cable should become worn or damaged, do not use the awning until it has been repaired by an approved specialist.

3.8. Fit the covering cap, casing section

- Extend the awning approx. 50 cm.
- Push the casing section covering cap onto the arm holder.
- Using a Phillips screwdriver (PH2), tighten the two attachment screws 1x top and 1x bottom on each arm holder from inside.

3.9. Using the awning crank handle

Insert the crank handle into the eye of the gear unit. The awning can be retracted or extended by turning the crank. The gear unit is provided with a limit stop in the extension direction, preventing incorrect operation. Forcible operation should be avoided, as this could result in damage to the gear unit.

4.0. Repair of the awning

Repairs should only be carried out by a specialist firm. Only spare parts from Lewens Sonnenschutz GmbH may be used.

Caution! The arms are under high spring tension and could cause injury if not handled properly.

4.1. Replacing a drive

- To repair a faulty drive, the awning must be dismantled. To do this, suitable installation aids and knowledge are required that only a specialist installation firm can provide. When changing the drive, the hinged arms must be secured. The drive to be fitted must be of the same type series and from the same manufacturer.

4.2. Replacing the fabric

- To do this, the awning must be disassembled. The fabric must be replaced by a specialist firm or the awning returned to the manufacturer for the fabric to be replaced.

4.3. Replacing the hinged arms

- Extend the awning fully and if the awning has a motor drive cancel the lower end position of the motor.
- Remove the casing section covering cap as described in Section 3.8.
- Mark and remove the front profile holder on the front profile.
- Undo the two screws (SW 13) on the arm holder (Fig.5), holding arm firmly while dismantling it.
- Fit new arm
- Adjust as described in Section 3.6.
- Fit covering cap as described in Section 3.8.

5.0. Commissioning

Persons should not stand in the area of the awning while it is being tested. All objects located under the awning should be removed.

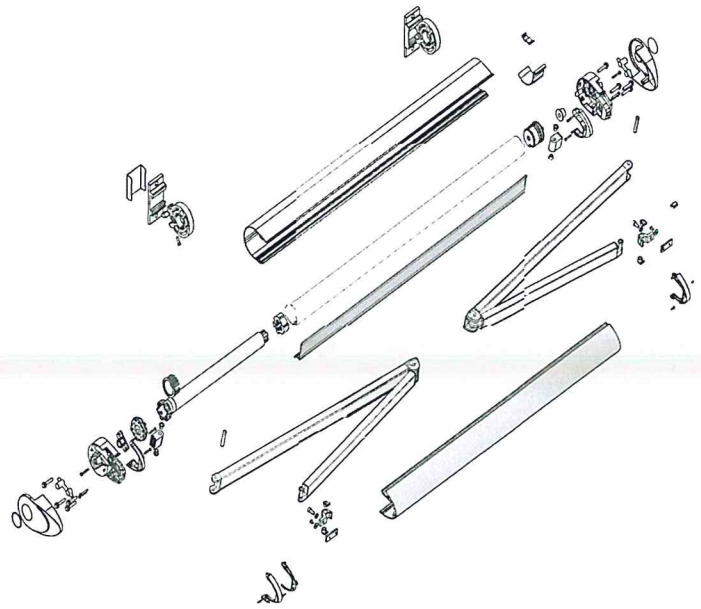
6.0. Handover

On completion of the installation, the following instructions should be given to the user:

- Installation instructions
- Operating instructions
- Adjusting instructions (motor drive)
- Completion certificate

The installation company should give the user extensive instructions on how to operate the awning and should explain the instructions on safety and use. The actual wind resistance classification achieved following installation should be documented for the customer on the completion certificate. The resistance classification can be 0, 1 or 2 depending on the local installation conditions. The automatic sun and wind control system should be set according to this value. The pitch set for the awning should be specified on the certificate.

The completion certificate should be countersigned by the user and specialist dealer. If the certificate is incomplete or has not been filled in, the awning shall be classed as having a wind resistance classification of 0.



Subject to technical alterations without notice. Date 06.2014 Installation Toscana Mini.


lewen/ Sonnenschutz Systeme GmbH & Co. KG 06
EN 13561 Markise für die Verwendung im Außenbereich Windwiderstand: Klasse 2

LeWens
MARKISEN